

VME64x Basic 1U, 2U and 4U

User's Manual



Rev.		
R1.0	19.04.2010	
R1.1	09.08.2011	
R1.2	17.10.2012	
R1.3	20.04.2021	
R1.4	28.09.2023	

Kontron HARTMANN-WIENER GmbH
Motorstrasse 43, D-70499 Stuttgart Germany
E: sales.khw@kontron.com
P: +49 (711)139890 F:+49(711)8661191

Kontron HARTMANN-WIENER GmbH
Linde 18, D-51399 Burscheid Germany
E: sales.khw@kontron.com
P: +49 (2174)6780 F:+49 (2174)678555

Table of Contents

1	Applicability	1	
1.1	BackgroundInformation	1	
2	Safety	2	
2.1	IntendedApplication	2	
2.2	SafetySymbols	2	
2.3	GeneralSafetyPrecautions	2	
2.4	SafetyInstructions	3	
2.4.1	Protection AgainstElectromagneticInterference(EMI)	3	
2.4.2	ElectrostaticDischargePrecautions	3	
2.4.3	Installation	3	
2.4.4	Location	3	
2.4.5	VoltageHazards	3	
2.4.6	SystemOverheating	3	
2.4.7	Mounting Considerations	4	
2.4.8	ElectricalHazards	4	
2.4.9	BoardInstallation	4	
3	ProductDescription	5	
3.1	SystemOverview	5	
3.1.1	VME64xBasic1U84 HP	5	
3.1.2	VME64xBasic1U 84 HPwith hot swapfan tray	5	
3.1.3	VME64xBasic2U84 HP	6	
3.1.4	VME64xBasic2U 84 HPwith hot swapfan tray	6	
3.1.5	VME64xBasic4U84 HP	7	
3.1.6	VME64xBasic4U 84 HPwith hot swapfan tray	7	
3.2	Subrack	8	
3.3	Backplane	8	
3.3.1	Description	8	
3.3.2	Temperaturesensorsandfan control	9	
3.3.3	Temperaturrange	9	
3.3.4	Fansignalconnector	10	
3.3.5	BackplaneVME64x9U2 slot (6U) + 1 x PSU47p(3U)	11	
3.3.6	BackplaneVME64x9U4 slot (6U) + 2 x PSU47p(3U)	11	
3.3.7	BackplaneVME64x9U8 slot (6U) + 4 x PSU47p(3U)	11	
3.4	ElectricalConnectionandPowerSupply	12	
3.4.1	PowerEntryModule	12	
3.4.2	Grounding/ProtectiveEarthing	13	
3.4.3	PowerSupply	14	
3.5	Cooling	16	
3.5.1	Airflow	16	
3.5.2	Fans	17	
3.5.3	Air Filter	19	
3.5.4	FanTrays	20	
3.5.5	FanTrayInterface	21	
4	Installation	22	
4.1	SubrackComponents	22	
4.1.1	ControlsandIndicators	22	
4.2	Inspectingthe SubrackComponents	22	
4.3	Protection AgainstElectromagneticInterference	23	
4.4	Preparingthe Subrack	23	

4.4.1	Mounting the Subrack	23
4.4.2	Powering the Subrack	23
4.4.3	Installing Boards	24
4.4.4	Installing Filler Panels	24
5	Maintaining the Subrack	25
5.1	Replacing the Fan Tray	25
5.2	Replacing the Air Filter	25
5.3	Replacing the Power Supply	26
6	Service	28
6.1	Technical support and Return for Service Assistance	28
6.2	Declaration of Conformity	28
6.3	Scope of Delivery	29
6.4	Subrack Specifications	30

List of Figures

Figure 3-1	VME64xBasic1 U84 HP with 4 DCfans	5
Figure 3-2	VME64xBasic1 U84 HP with hot-swap fan tray	5
Figure 3-3	VME64xBasic2 U84 HP with 3 DCfans	6
Figure 3-4	VME64xBasic2 U84 HP with hot-swap fan tray	6
Figure 3-5	VME64xBasic4 U84 HP with 6 DCfans	7
Figure 3-6	VME64xBasic4 U84 HP with hot-swap fan tray	7
Figure 3-7	Pin assignment fan signal connector	9
Figure 3-8	Dip-Switch	9
Figure 3-9	Fan characteristic dip-switch on/off	10
Figure 3-10	Pin assignment fan signal connector	10
Figure 3-11	Backplane VME64x9U 2 slot (6U) + PSU47p(3U) front / rear	11
Figure 3-12	Backplane VME64x9U 4 slot (6U) + 2 x PSU47p(3U) front / rear	11
Figure 3-13	Backplane VME64x9U 8 slot (6U) + 4 x PSU47p(3U) front / rear	11
Figure 3-14	Power Entry Module	12
Figure 3-15	Protective Earth and Grounding	13
Figure 3-16	AC Power Supply 3U, 250W	15
Figure 3-16.1	AC Power Supply 3U, 300W	15
Figure 3-17	Air Flow	16
Figure 3-18	Fan Tray 1U	20
Figure 3-19	Fan Tray 2U	20
Figure 3-20	Fan Tray 4U	21
Figure 3-21	Fan Tray Interface	21
Figure 4-1	Indicator Panel (sample: 2U version)	22
Figure 4-2	AC Input (sample: 2U version)	23
Figure 5-1	Fan Tray Components (sample: 2U version)	25
Figure 5-2	Air Filter Replacement (sample: 2U version)	26
Figure 5-3	Replacing the Power Supply (sample: 2U version)	26

1 Applicability

System name	Order number
VME64x Basic 1 U 84 HP Depth 283 mm	LMH0000200
VME64x Basic 1 U 84 HP Depth 283 mm with fan tray	LMH0000312
VME64x Basic 2 U 84 HP Depth 283 mm	LMH0000170
VME64x Basic 2 U 84 HP Depth 283 mm with fan tray	LMH0000240
sic 4 U 84 HP Depth 283 mm	LMH0000180
VME64x Basic 4 U 84 HP Depth 283 mm with fan tray	LMH0000260

1.1 Background Information

User Manual Hartmann VME Backplanes

Technical Data Hartmann VME Backplanes

User Guide Hartmann VME Backplanes

IEC60297-3-101

ANSI/VITA 1.1-1997

IEC1000-4-4 Electromagnetic Compatibility, Part 4, Section 4, Electrical fast transient/burst immunity test.

EN60950-1

Shock:

- o MIL-STD-810F1 January 2000 Annex C, U. Shighway truck
Figure 514.5C-1, vertical Shocktest (Sawtooth) Figure 516.5-10

Vibration:

- o DIN EN61373:1999, Figure 2, Category 1, Class B
- o MIL-STD-810F1 January 2000 Annex C, Shipboard: Figure 514.5C-15

2 Safety

2.1 Intended Application


The VME64xSystem Platform Basic subracks is intended as a platform for a microcomputer system based on the VME64xStandard ANSI/VITA 1.1- 1997


VME64xSystem Platform Basic subracks are not end-products, so there is no valid approval for this unit. In Order to enable stand-alone functionality, additional elements are required. An operational system is achieved only by way of appropriate VME64boards.


The completion and final testing of the units have been carried out, or at least supervised, by qualified technicians. These instructions are directed exclusively to these qualified technicians i.e. engineers, trained and qualified electricians etc.

Make sure that the finished system complies with the safety regulations currently applicable in the country it is going to be used.


2.2 Safety Symbols

	<p>Hazardous voltage! Familiarise yourself with the danger of electrical voltages and the safety</p>
---	--

	<p>Caution! This symbol indicates a condition where damage of the equipment or injury of the service personnel could occur. To reduce the risk of damage or injury, follow all steps or procedures as instructed.</p>
---	---

	<p>Danger of electrostatic discharge! Static electricity can damage sensitive components in a system. To avoid damage, wear ESD wrist straps or at regular intervals touch blank enclosure parts.</p>
---	---

2.3 General Safety Precautions

	<p>Warning! Voltages over 60 VDC can be present in this equipment. This equipment is intended to be accessed, to be installed and maintained by qualified and trained service personnel only. This equipment is designed in accordance with protection class 1! It must therefore be operated only with protective GND/earth connection!</p>
---	--

2.4 Safety Instructions

The intended audience of this User's Manual is system Integrators and hardware/software engineers.

The product has been designed to meet relevant standard industrial safety requirements. It must not be used except in its specific area of office telecommunication industry and industrial control. It shall not be used in safety-critical applications, life-sustaining appliances or in aircraft.

Only trained personnel or persons qualified in electronics or electrical engineering are authorized to install, operate or maintain the product.

This section provides safety information about:

Protection Against Electromagnetic Interference (EMI)

Electrostatic Discharge Precautions

System Installation

2.4.1 Protection Against Electromagnetic Interference (EMI)



The product has been tested and found to comply with the limits for a Class A digital device, pursuant to part 15 of the FCC Rules, EN55022 Class A.

To ensure proper EMC shielding, operate the subrack only with all free slots populated with filler panels.

Ensure that all EMI gaskets make correct contact.

2.4.2 Electrostatic Discharge Precautions



Electronic components can easily be destroyed by electrostatic discharge which can occur between subrack components and a person.

Before working on the rack make sure that you are working in an ESD-safe environment.

2.4.3 Installation

To avoid subrack damage verify that the system environment meets the environmental and power requirements given in this guide before installation consider these guidelines:

2.4.4 Location

Locate the system in a stable area free of excessive movement and jarring, dust, smoke, and electrostatic discharge (ESD). Make sure that the temperature does not exceed the operating temperature given in the environmental requirements in this guide and allow room for proper air flow for cooling.

2.4.5 Voltage Hazards



The system is powered with a power supply the mains voltage is 115/230VAC. (Voltage range 85VAC to 265VAC)

This voltage is considered hazardous.

2.4.6 System Overheating

Ensure clearance of at least 10 cm to the air inlet on the left side of the chassis, and a free path of at least 10 cm for the air exhaust on the right.

Shelf ambient temperature may not exceed 40°C.

2.4.7 Mounting Considerations

During the course of handling, shipping, and assembly, parts could become loose or damaged.

Do not operate a shelf in this condition, as this may cause damage to other equipment.

2.4.8 Electrical Hazards

The caution label on the system's rear near the grounding studs shows that you have to create an earth connection because there may be a high leakage current which is considered hazardous.



High leakage current can cause injuries.

Ensure that the system is properly grounded at all times, the following conditions shall be met:

This equipment shall be connected directly to the AC supply system earthing

2.4.9 Board Installation

Electrostatic discharge and incorrect board installation or removal can damage circuits or shorten their life.



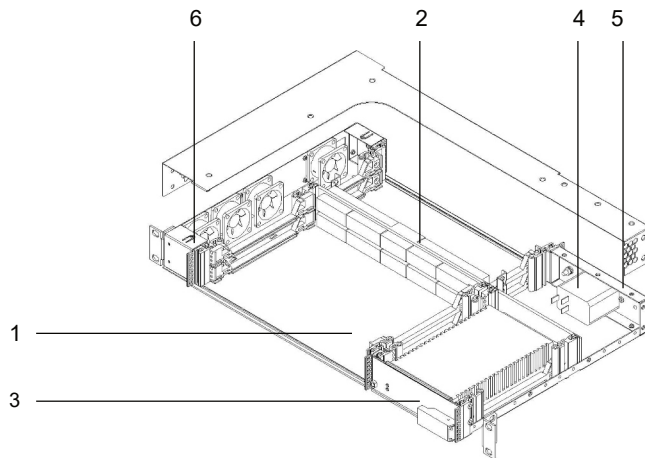
Before touching the boards, rear transition module or electronic components, make sure that you are working in an ESD-safe environment

Boards should be inserted and removed using their handles, do not force the board by applying pressure to the front panel.

3 Product Description

3.1 System Overview

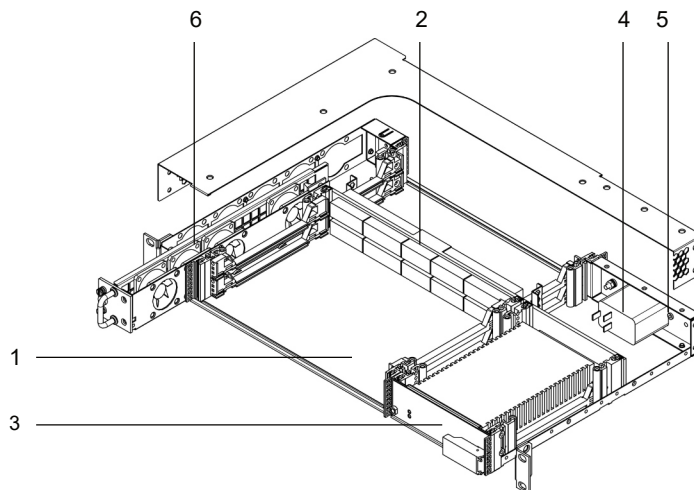
3.1.1 VME64x Basic 1 U 84 HP



1	VME64x card rack, 1U	4	Power entry module with switch, fuse and filter
2	VME64x backplane: 6 + 3 U, 2 slot	5	Front panel 8 HP 3 U with EMC gasket
3	Compact PCI power supply 250 W	6	3 DC fans: 40 x 40 x 28 mm,

Figure 3-1 VME64x Basic 1 U 84 HP with 4 DC fans

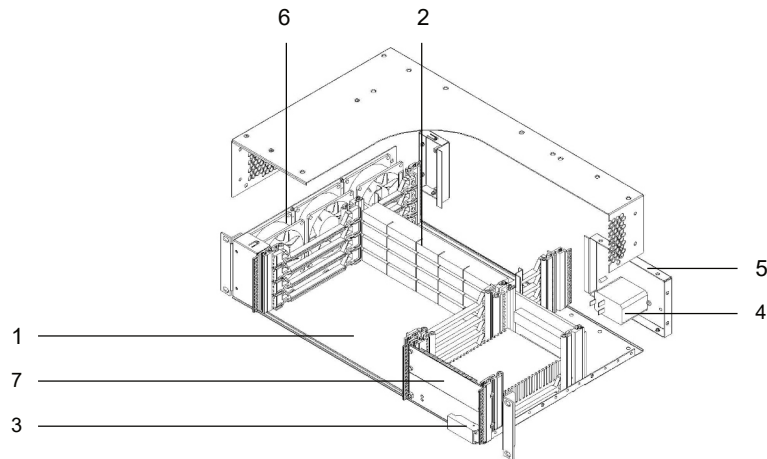
3.1.2 VME64x Basic 1 U 84 HP with hot swap fan tray



1	VME64x card rack, 1U	4	Power entry module with switch, fuse and filter
2	VME64x backplane: 6U + 3U, 2 slot	5	Front panel 8 HP 3 U with EMC gasket
3	Compact PCI power supply 250 W	6	y with 4 DC fans: 40 x 40 x 28 mm,

Figure 3-2 VME64x Basic 1 U 84 HP with hot-swap fan tray

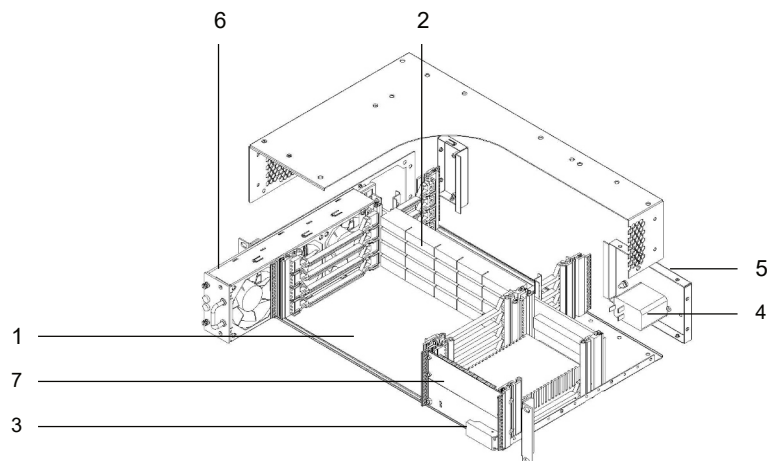
3.1.3 VME64x Basic2 U 84 HP



1	VME64x card rack, 2U	4	Power entry module with switch, fuse and filter
2	VME64x backplane: 6 + 3 U, 4 slot	5	Front panel 16 HP 3 U with EMC gasket
3	Compact PC power supply unit 250 W	6	3 DC fans: 80 x 80 x 25 mm,
7	Front panel 8 HP 3 U with EMC gasket		

Figure 3-3 VME64x Basic2 U 84 HP with 3 DC fans

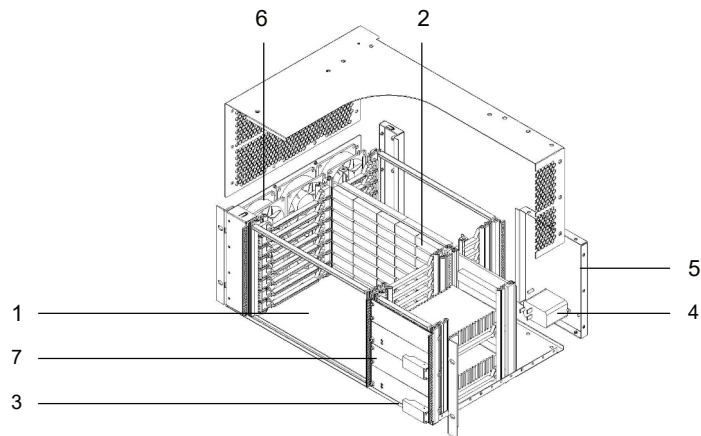
3.1.4 VME64x Basic2 U 84 HP with hot swap fan tray



1	VME64x card rack, 2U	4	Power entry module with switch, fuse and filter
2	VME64x backplane: 6 + 3 U, 4 slot	5	Front panel 16 HP 3 U with EMC gasket
3	Power supply unit 30	6	Hot swap fan tray with 3 DC fans: 80 x 80 x 25 mm,
7	Front panel 8 HP 3 U with EMC gasket		

Figure 3-4 VME64x Basic2 U 84 HP with hot-swap fan tray

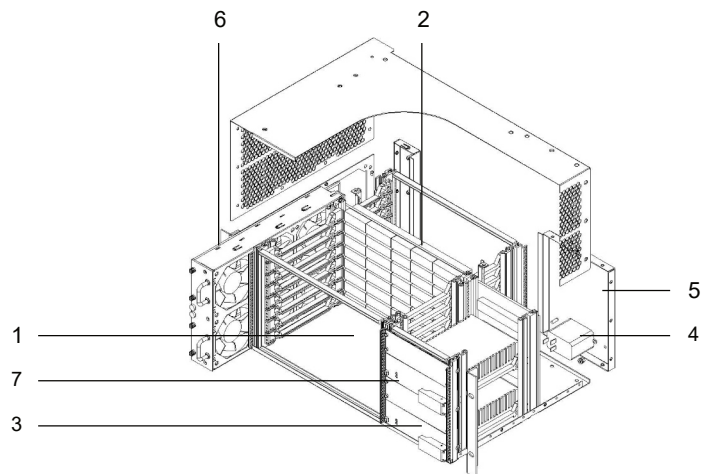
3.1.5 VME64x Basic4 U 84 HP



1	VME64x card rack, 4U	4	Power entry module with switch, fuse and filter
2	VME64x backplane: 6 + 3 U, 8 slot	5	Front panel 32 HP3 U with EMCgasket
3	2 x CompactPC power supply unit 30	6	6 DCfans: 80 x 80 x 25 mm,
7	2 x Front panel 8 HP3 U with EMCgasket		

Figure 3-5 VME64x Basic4 U 84 HP with 6 DCfans

3.1.6 VME64x Basic4 U 84 HP with hot swap fan tray



1	VME64x card rack, 4U	4	Power entry module with switch, fuse and filter
2	3 U, 8 slot	5	Front panel 32 HP3 U with EMCgasket
3	2 x CompactPC power supply unit 300 W	6	Fantray with 6 DCfans: 80 x 80 x 25 mm,
7	2 x Front panel 8 HP3 U with EMCgasket		

Figure 3-6 VME64x Basic4 U 84 HP with hot-swap fan tray

3.2 Subrack

VME64x subrack, black coating outside (RAL9005), shielded with IEEE guide rails and ESD clip mounted on the right side.

3.3 Backplane

All Hartmann VMEbus boards are based on the HIGH-SPEED DESIGN concept. Low reflection is achieved by means of uniform signal line surge impedance.

Shielding of each individual signal line assures minimal coupling and therefore guarantees trouble-free operation even when expanded to the 64-bit mode with the 2e protocol (160 MByte/s).

Termination

In order to prevent interference on signal lines which might result from reflection at open line ends, these lines must be terminated on the VMEbus. ON/IN-board (on the backplane) or OFF-board (external) termination is possible. A distinction is made between passive and active termination. The advantage of active termination is reduced closed-circuit current consumption. Passive termination features better frequency response and a wider temperature range.

Daisy chain wiring

A distinction is made between manual daisy chaining and automatic daisy chaining. Automatic daisy chaining works without jumpers, i. e. the user does not need to bother with plugging in and removing jumpers.

CHASSIS GND connection

There is a solid electrically conductive chassis GND surface in the backplane-to-card rack mounting area. This guarantees EMC-tight mounting of the bus board on the card rack.

3.3.1 Description

The backplanes are optimised for the assembly of horizontal systems with backplanes installed horizontally.

The backplanes in the VME64x system platform Basic are 9U height and include two areas. A 6U area with two, four or eight slots for 6U VME64x boards (J1, J2 and J0 assembled) and a 3U area for one, two or four power supplies with a 47p connector.

Temperature sensors for the speed control and connector terminals for fans are already integrated.

A DIP switch facilitates selecting between two different characteristic temperature curves for each fan:

- ON: reduced characteristic temperature curve
- OFF: Standard characteristic temperature curve

For system assemblies with a hot-swap fan tray, the fan signals are also provided by a 14-pole plug to the fan tray.

The voltage monitoring with rest generator and AC-fail identification is located at the power supply area.

Plug-in connectors for external connection of the JTAG and IPMB busses are also included as standard on the backplane.

3.3.2 Temperature sensors and fan control

For 2U and 4U systems a temperature-dependent fan control is integrated.

The fan speed will be controlled by external temperature sensors (NTC). Three or six temperature sensors are located on the left-hand side on the backplane.

NTCfan 1 - Slot 1, NTCfan 2 - Slot 2, NTCfan 3 - Slot 3, etc. (see figure below).

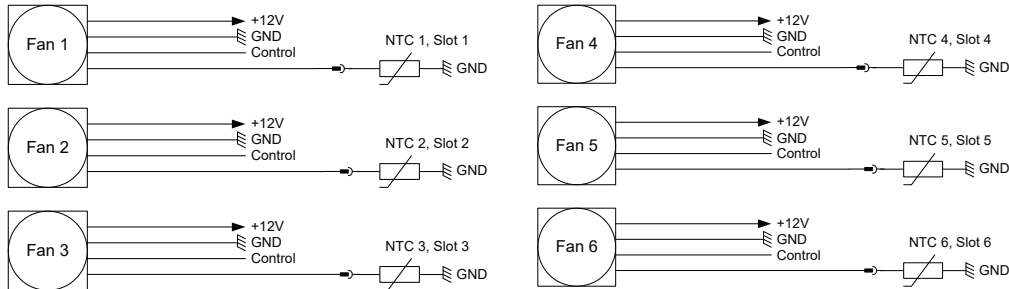


Figure 3-7 Pin assignment fan signal connector

3.3.3 Temperatur range

With the three-pole "Dip-Switch" on the rear side of the backplane, behind the power supply connectors, is it possible to choose between two temperature ranges (see figure 3-8).

Dip-switch ON = 22°C to 37°C

Dip-switch OFF = 34°C to 44°C

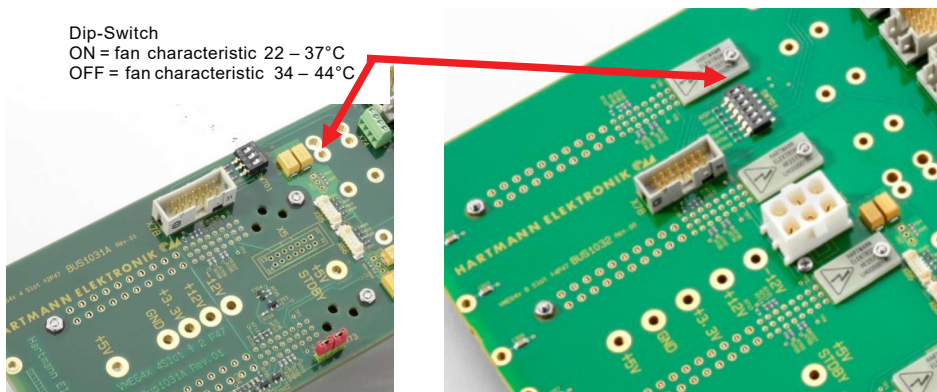


Figure 3-8 Dip-Switch

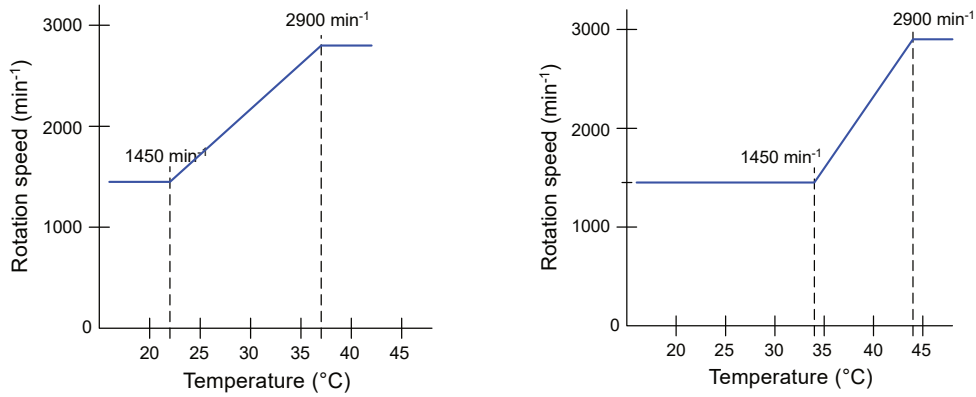
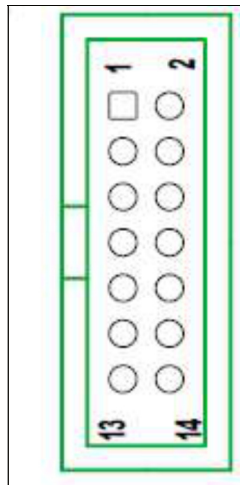


Figure 3-9 Fancharacteristic dip-switch on/off

3.3.4 Fansignal connector

For subracks assembled with a fan tray, the fan signals are also provided by a 14 pole connector.



Pin	Signal
1	GND
2	+12V
3	GND
4	+12V
5	
6	
7	
8	Fan Load OUT
9	Fan_tacho_4
10	Fan_tacho_1
11	Fan_tacho_5
12	Fan_tacho_2
13	Fan_tacho_6
14	Fan_tacho_3

Figure 3-10: Pin assignment fan signal connector

3.3.5 Backplane VME64x9U 2 slot (6U) + 1 x PSU47p (3U)

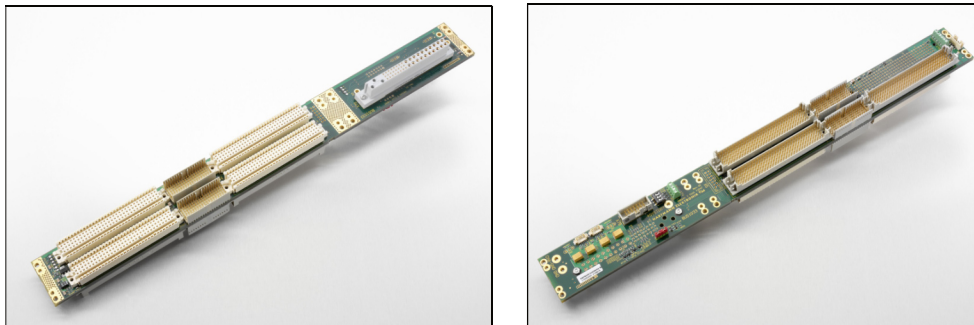


Figure 3-11 Backplane VME64x9U 2 slot (6U) + PSU47p (3U) front / rear

3.3.6 Backplane VME64x9U 4 slot (6U) + 2 x PSU47p (3U)

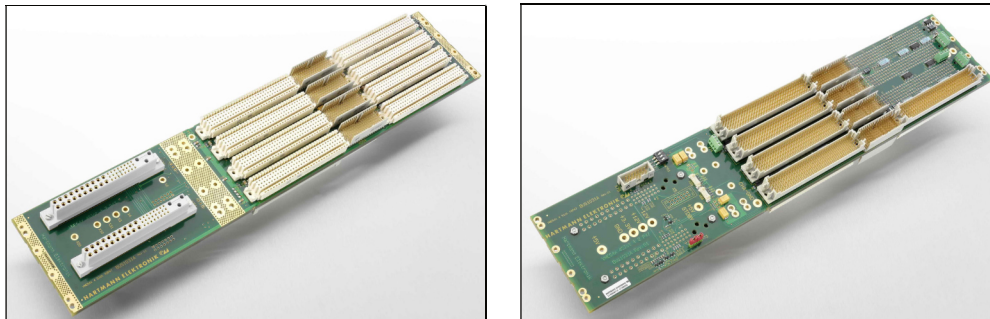


Figure 3-12 Backplane VME64x9U 4 slot (6U) + 2 x PSU47p (3U) front / rear

3.3.7 Backplane VME64x9U 8 slot (6U) + 4 x PSU47p (3U)

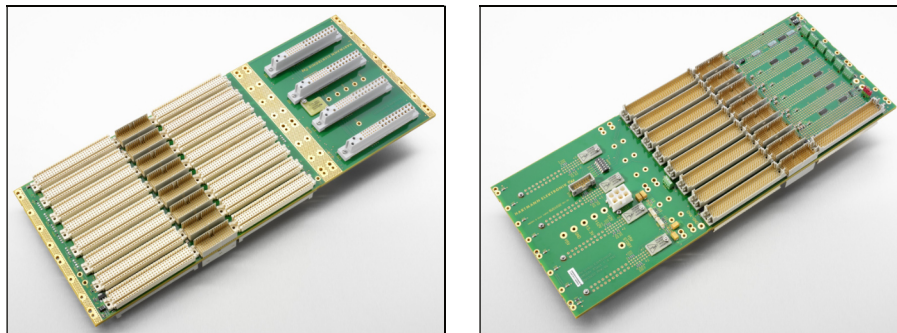


Figure 3-13 Backplane VME64x9U 8 slot (6U) + 4 x PSU47p (3U) front / rear

3.4 Electrical Connection and Power Supply

3.4.1 Power Entry Module

The power input module is provided with an IEC320-C14 connector, integrated Filter, fuseholder 1-pole and Line Switch 2-pole.

Technical Data

Ratings IEC	1 - 10 A @ Ta 40 °C/ 250 VAC; 50 Hz
	1 -
Leakage Current	standard < 0.5 mA (250 V/ 60 Hz) medical < 5 µA (250 V/ 60 Hz)
Dielectric Strength	>1.7 kVDC between L-N >2.7 kVDC between L/N-PE Test voltage (1 min/50 Hz)
Allowable Operation Temp	-25 °C to 85 °C
	25/085/21 acc. to IEC60068-1
Degree of Protection	from front side IP 40 acc. to IEC60529
Protection Class	Suitable for appliances with protection class 1 acc. to IEC 61140
Terminal	Quick connect terminals 6.3 x 0.8 mm
Panel Thickness	Screw-on mounting, max 8 mm
Material Housing	Thermoplastic, black, UL94V-0
Appliance-Inlet/Outlet	C14 acc. to IEC/EN60320-1 UL 498, CSAC22.2 no. 42 (for cold conditions) pin-temperature 70 °C, 10 A, Protection Class 1
Fuseholder	1 or 2 pole, Shocksafe category PC2 acc. to IEC60127-6, for fuse-links 5 x 20 mm
	5 x 20 2 W (1 pole)/ 1.6 W (2-pole) per pole
Power Acceptance @ Ta > 23°C	Admissible power acceptance at higher ambient temperature see derating curves
Line Switch	Rockerswitch 2-pole, non-illuminated, acc. to IEC61058-1
Line Filter	Standard and Medical Version, IEC60939, IEC60601 1, UL 1283, UL 544, EN 133 200, CSAC22.2 no. 8
MTBF	> 2'000'000 h acc. to MIL-HB-217 F

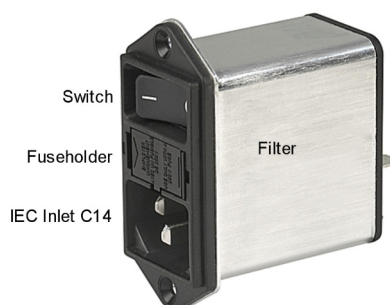



Figure 3-14 Power Entry Module

Subrack systems LMH0000200, LMH0000312, LMH0000170, and LMH0000240 are delivered with fuse: 5x20mm 250V/6,3A T m. UL/CSA:


Subrack systems LMH0000180 and LMH0000260 are delivered with fuse: 5x20mm 250V/10A T m. UL/CSA

	<p>Caution!</p> <p>The fuse values (6,3A T, 10A T) are only for incoming inspection.</p> <p>The final values depend on the ready configuration of the completed system, e.g. number of power supplies.</p>
---	---

3.4.2 Grounding/Protective Earthing

The system contains gaskets at the subrack and board level to guard against electromagnetic interference (EMI). Each of the subrack's individual components make contact with the gaskets and to the PE-stud inside the rear panel.

The guide rails are also fitted with electrostatic discharge (ESD) contacts for each blade and RTM. These ESD contacts ensure that the boards are fully discharged to prevent static caused by static as they are plugged into the subrack.

	<p>Caution!</p> <p>The subrack is designed in accordance with protection class 1!! It must therefore be operated with protective earth/GND connection. Use only a three conductor AC power cable with a protective earth conductor that meets the IEC safety standards!</p>
---	--

There is a 4 mm stud at the rear panel. This stud is only for potential equalization. Grounding is achieved through the protective earth conductor of the power cable!

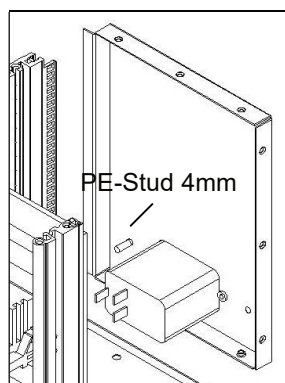


Figure 3-15 Protective Earth and Grounding

3.4.3 Power Supply

The power supply has the following main features:

- 250W 3U x 8HP for 1U
- 300W 3U x 8HP for 2U and 4U
- Meet IEC61000-3-2 harmonic correction
- Internal OR-ing diodes for N+1 redundancy
- Hot - swappable
- Third-wire current sharing
- EMI meet EN55022 / FCC class A
- CE marking compliance
- Fully compliant with PICMG

Technical data

INPUT SPECIFICATION	
Input Voltage	Typ. 90-264Vac.
Power Factor Correction	Meet Harmonic Correction IEC61000-3-2. Power Factor typ. 0.95-0.97.
Input Connector	Positronic 47-pin PCIH47M400A1.
Input Frequency	47-63Hz.
Inrush Current	Less than 30A @230Vac.
Input Current	2.8A @115Vac/1.4A @230Vac.
Dielectric Withstand	Meet IEC60950-1 regulation.
EMI	et EN 55022 / FCC Class A.
Hold-up Time	5ms after power fail signal.
Earth Leakage	Less than 0.5mA @230Vac.
	Available at [INH#] & [EN#] pins.
Power Fail Signal	Available at [FAL#] pin.
Status LED	<Green> means valid input voltage. <Amber> means a critical fault.
Thermal Protection (OTP)	Installed NTC and thermostat for thermal sensor at [DEG#] pin.
OUTPUT SPECIFICATION	
Output Current	+5V: 33.0A, +3.3V: 33A, +12V: 6A, -12V: 1.5A Typ. 250W continuous.
Output Connector	Positronic 47-pin PCIH47M400A1.
Line Regulation	Typ. 0.1%.
Load Regulation	Typ. ±1-2%.
Noise & Ripple	Typ. 1% peak to peak or 50mV, whichever is greater.
OVP	Built-in at all outputs. Available at VO1, 2 & 3.
Output Trim	Electrical trim available at VO1/VO2.[ADJ#]
Remote Sensing	Available at VO1, VO2 & VO3.
Hot-Swap	Available.
N+1 Redundancy	Installed with internal OR-ing diodes at all outputs
Current Sharing	Third-wire current sharing at VO1, VO2 & VO3.
Power OK Signal	Available for all output.
Over Current Protection (OCP)	Installed at each rail.
Overload Protection (OLP)	Fully protected against output overload or short circuit. Typical 120% max. load
GENERAL SPECIFICATION	
	Typ. 76-77 %.

Switching Frequency	120KHz.
	Forward circuit.
Transient Response	Peaktransient less than 100mV and recovers within 2mSafter 25%load-change.
Safety Standard	IEC60950-1 Class I.
Construction	Eurocard 3U X8HPX 160mm CompactPCIformat
Operating Temperature	0 to +50°Cat full load with specified air flow. Derateslinearly to 50%at +70 °C.
Storage Temperature	-40 to +85 °C.
Temperature Coefficient	Typ. ±0.02%/ °C.
Cooling	At least 20 CFM(600LFM)moving air is required to achieve full rating power 250W in a confined area.
Power Density:	4.58 Watts/ CubicInch.

Output Current

+5V			+3.3V			+12V				-12V			
Min	Typ.	Max.	Min.	Typ.	Max.	Min.	Typ.	Max.	Pk	Min.	Typ.	Max.	Pk.
		33.			33.			5.	6		0.		1.



Figure 3-16 AC Power Supply 3U, 250W



Figure 3-17.1 AC Power Supply 3U, 300W


For 300W Power Supply please ask datasheet from D575.00361
For DC Power Supply, please ask Hartmann Electronic.

3.5 Cooling

The VME64x front and rear I/O boards are cooled by forced air convection through up to six VDC axial fans. The operating temperature is from 0°C to 40°C.

3.5.1 Airflow

Airflow from left to right.

	<p>Caution! To ensure proper air flow within the system make sure that all slots are populated with either boards or filler panels.</p>
---	--

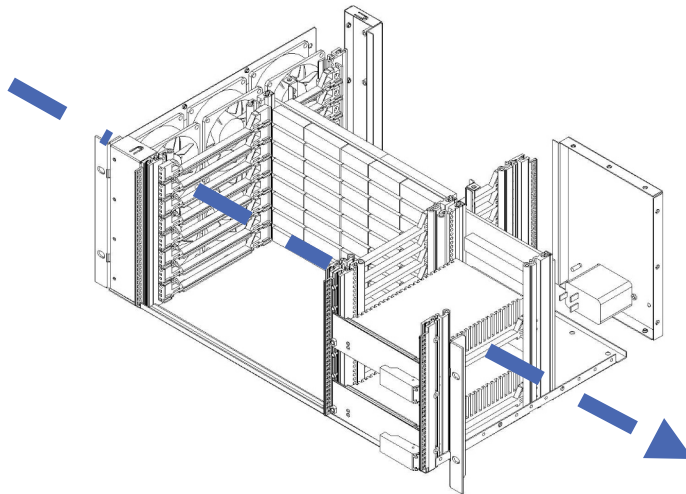


Figure 3-18 Air Flow

3.5.2 Fans

VME64xBasicSystemswith build-in fans

In the VME64xBasicSystemswith build-in fans, the speed will be controlled by an external thermistor.

VME64xBasic 1 U 84 HP Depth 283 mm	LMH0000200
ic 2 U 84 HP Depth 283 mm	LMH0000170
VME64xBasic 4 U 84 HP Depth 283 mm	LMH0000180

VME64xBasicSystems with Fan Tray

In the VME64xBasicSystemswith hot-swap fan trays, the speed will be controlled by an external thermistor, and a lock sensor gives alarm if a fan speed goes down or a fan is blocked.

VME64xBasic 1 U 84 HP Depth 283 mm with fan tray *	LMH0000312
VME64xBasic 2 U 84 HP Depth 283 mm with fan tray	LMH0000240
	LMH0000260

*) 40 x 40 x 28 mm fans are without speed control. Different fans can be installed in the fan tray.

Technical data DCfan 40 x 40 x 28 mm (LMH0000200)

Dimensions:	40mm x 40mm, 28mm thick
Rated Voltage:	12V
Rated Current	0.
Rated Input:	2.34W
Rated Speed:	8700rpm
Air Flow:	11.3 cfm (0.32 m ³ /min)
Static Pressure:	103Pa (0.414 inchH ₂ O)
Noise:	37dB(A)
Operating Temperature	-10°C- +60°C(Non-condensing)
Storage Temperature	-30°Cto +70°C
Life Expectancy	40.000h

Technical data DCfan 40 x 40 x 28 mm (LMH0000312with removable fan tray)

Different fans can be installed in the fan tray.

1.

Dimensions:	40mm x 40mm, 28mm thick
Rated Voltage:	7V to 12V
Rated Current	0.28A
Rated Input:	3.36
Rated Speed:	10300rpm
Air Flow:	13.4 cfm (0.38 m ³ /min)
Static Pressure:	143 a (0.574 i ₂ O)
Noise:	40dB(A)
Operating Temperature	-20°C- +60°C(Non-condensing)
Storage Temperature	-
Life Expectancy	40.000h

2.

Dimensions:	40mm x 40mm, 28mm thick
Rated Voltage:	12V
Rated Current	0.23
Rated Input:	2.76W
Rated Speed:	9000rpm
Air Flow:	16.6 cfm (0. m ³ /min)
Static Pressure:	103Pa(0.414 inchH ₂ O)
Noise:	32.8dB(A)
Operating Temperature	-10°C- +60°C(Non-condensing)
Storage Temperature	-30°Cto +70°C
	40.000h

3.

Dimensions:	40mm x 40mm, 28mm thick
Rated Voltage:	
Rated Current	0.32A
Rated Input:	3.84W
Rated Speed:	14000rpm
Air Flow:	15.89 cfm (0.449 m ³ /min)
Static Pressure:	309Pa(1.24 inchH ₂ O)
Noise:	46.6dB(A)
Operating Temperature	-10°C- +60°C(Non-condensing)
Storage Temperature	-30°Cto +70°C
Life Expectancy	40.000h

Technical data DCfan 80 x 80 x 25 mm (LMH0000170, LMH0000180 and LMH0000260)

Dimensions:	80mm x 80mm, 25mm thick
Rated Voltage:	12V
Rated Current	0.09A 0.
Rated Input:	1.08W – 1.68W
Rated Speed:	1450rpm - 2900rpm
Air Flow:	18.0 cfm (0.51 m ³ /min) 36.4 cfm (1.03m ³ /min)
Static Pressure:	8.8 Pa(0.035 inchH ₂ O) – 35.3 Pa(0.142 inchH ₂ O)
Noise:	14dB(A) - 29dB(A)
Operating Temperature	-10°C- (Non-condensing)
Storage Temperature	-30°Cto +70°C
Life Expectancy	60.000h

Technical data DCfan 80 x 80 x 25 mm (LMH0000240)

Dimensions:	
Rated Voltage:	12V
Rated Current	0.06A – 0.22A
Rated Input:	0.72W 2.64

Rated Speed:	1600rpm - 5200rpm
Air Flow:	15.5 cfm (0.44 m ³ /min) 51.5 cfm (1.46m ³ /min)
Static Pressure:	8.3 Pa(0.03 inchH ₂ O) – 87.7 Pa(0.35 inchH ₂ O)
Noise:	17dB(A) - 37dB(A)
Operating Temperature	-20°C- +70°C(Non-condensing)
Storage Temperature	-30°Cto +70°C
	60.000h

3.5.3 Air Filter

Filter material: FS45/04black, classG1

3.5.4 Fan Trays

VME64x Basic 1 U

Four DCfans 40 x 40 x 28 mm

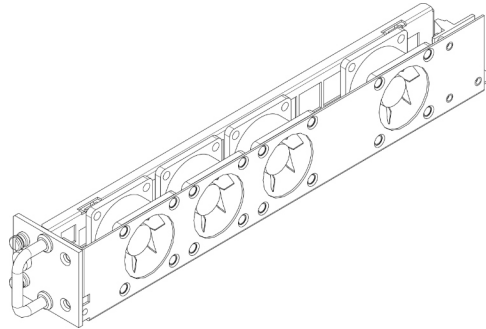


Figure 3-19 Fan Tray 1U

VME64x Basic 2U

Three DCfans 80 x 80 x 25 mm

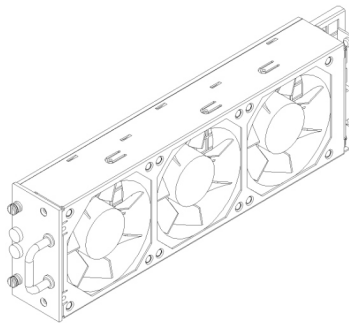


Figure 3-20 Fan Tray 2U

VME64x Basic 4U

Six DCfans 80 x 80 x 25 mm

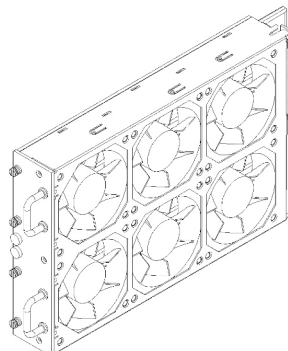


Figure 3-21 Fan Tray 4U

3.5.5 Fan Tray Interface

These PCB's and connectors are used for electrical connection between the fan tray and the subrack.

In Subracks with built-in fans, the fans are connected to the 9U backplane.

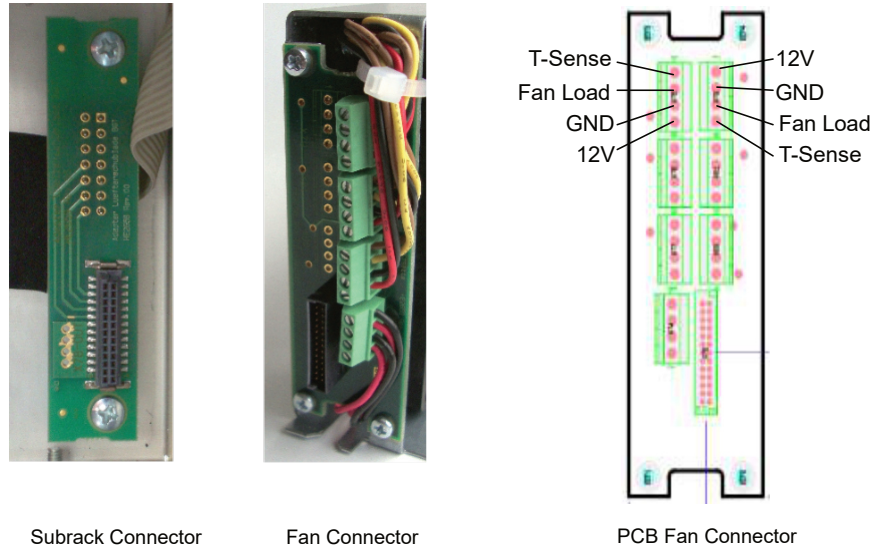


Figure 3-22 Fan Tray Interface

4 Installation

This section provides set up information and operation for the subrack:

- Subrack Components
- Inspecting the Components
- Protection Against Electromagnetic Interference
- Preparing the Subrack

4.1 Subrack Components

The subrack comes equipped with the following components:

- VME64x card rack, 1U, 2U or 4U 84HP and 283mm deep, black coated outside (RAL9005), with IEEE guide rails and ESD clip mounted on the right side
- Up to 8-slot front and up to 8 RTM slots
- One fan tray with alarm indicator (only order number: LMH0000310, LMH0000240 and LMH0000260)
- One air filter.
- One 250W AC power supply (2 power supplies: order no.: LMH0000260 a. LMH0000180)
- One VME64x backplane compliant with ANSI/VITA1.1-1997 specification.

4.1.1 Controls and Indicators

There are the following controls and indicators located on the fan tray front panel:

- One green LED. Power OK
- One red LED: Fan failure, one or more fans not running



Figure 4-1 Indicator Panel (sample: 2U version)

4.2 Inspecting the Subrack Components

During the course of handling, shipping, and assembly, pins, shrouds, mounting screws, fans and other items can become damaged and/or loose.



WARNING: Before utilizing the subrack, perform a thorough inspection to ensure the subrack and its components are not damaged.

To inspect the subrack:

1. Visually inspect the subrack to ensure that all of the connector pins are straight, screws are tight, and so on.
2. Check to ensure none of the EMI gaskets are damaged.

4.3 Protection Against Electromagnetic Interference

The subrack contains gaskets at the shelf and board level to guard against electromagnetic interference (EMI). Ensure that the subrack is grounded and that each of the subrack individual components make contact with the gaskets.

Follow the proper grounding and ESD handling procedures.

4.4 Preparing the Subrack

Side flanges are provided to allow the shelf unit to be mounted in a 19" (482.6 mm) cabinet. In preparing the subrack perform the following:

- Mounting the Subrack
- Powering the Subrack
- Installing Boards
- Installing Filler Panels

4.4.1 Mounting the Subrack

This subrack system can be installed in 19" equipment racks or cabinets

Ensure that the rack or cabinet is constructed to support the weight and dimensions of the system.

Incorrect system installation can cause the rack or cabinet to topple over, additional stabilization might therefore be required.

Single system installations should be mounted at the bottom of the rack or cabinet. In multi system installations the bulk of the weight should be concentrated in the lower part of the rack or cabinet.

4.4.2 Powering the Subrack

Before inserting boards, power the shelf to ensure that it is operating properly. The power connections and the mains switch are located at the bottom right rear of the shelf

Ensure that the AC switch is set to the off (O) position.

Connect the mains AC cable (C14, 10 Amp, not supplied) to the AC inlet.



Figure 4-2 AC Input (sample: 2U version)

Ensure that the mains AC feed (85-264VAC, 47-63Hz) is on.

Turn the AC switch to the on (I) position. All the system fans will begin to operate.

4.4.3 Installing Boards

The shelf is compliant with VME64x Standard ANSI/VITA 1.1- 1997 and accepts boards that are compliant with the VME64x Standard ANSI/VITA 1.1- 1997 and ANSI/VITA 1- 1994 specification.



WARNING: Boards should slide easily when installing or removing them from the shelf. Forcing the boards may cause damage to the interface connector pins.

4.4.4 Installing Filler Panels

Filler panels consist of a front panel (with or w/o air baffles), EMC gasket and mounting screws.



WARNING: Close all empty subrack slots with filler panels. The filler panel prevents fan air from escaping out open slots.

5 Maintaining the Subrack



WARNING:
Only qualified trained personnel should service this equipment. Follow the proper grounding, ESD and safe power handling procedures.

The following maintenance procedures may be required to keep the subrack operating efficiently:

- Replacing the Fan Tray
- Replacing the Air Filter
- Replacing the AC Power Supply

5.1 Replacing the Fan Tray

The fan tray can be accessed from the front on the left side of the subrack.

Removing the Fan Tray

Loosen the two mounting screws (top and bottom) on the front of the fan tray.

With the fan tray handle, pull the fan tray out partially toward the front of the shelf until the interface connector disengages. Wait until the fans have stopped and then remove the fan tray from the shelf.

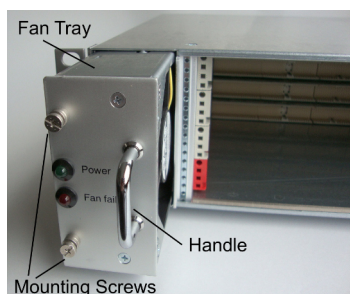


Figure 5-1 Fan Tray Components (sample: 2U version)



WARNING:
Extreme care should be taken while handling the fan tray. It is recommended to wait until the fan's open impellers have stopped spinning before removing the fan tray.

Installing the Fan Tray

Insert the replacement fan tray into the shelf and ensure that the interface connectors align.

Insert the fan tray gently until fully seated.

Tighten the two mounting screws (top and bottom) on the front of the fan tray.

5.2 Replacing the Air Filter

There is an air filter located on the left hand side of the fan tray and can be accessed from the front as shown in figure below.

Filter replacement frequency will depend on the environment the system is subjected to.

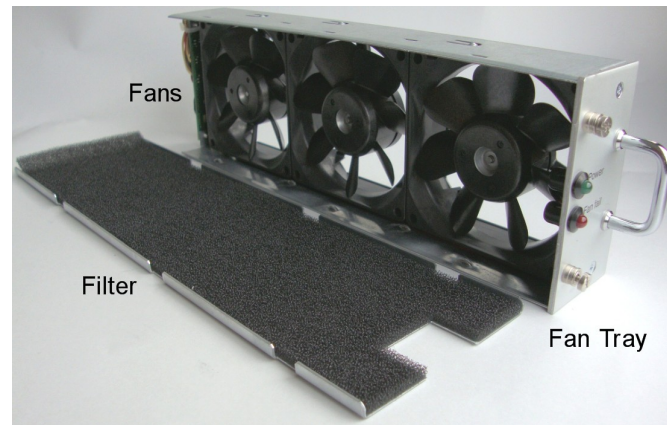


Figure 5-2 Air Filter Replacement (sample: 2U version)

Removing the Fan Tray as described in 5.1 (Replacing the Fan Tray).
 Slide the air filter towards the connector and remove the filter from the fan tray.
 Place the new filter to the fan tray and fix filter.
 Reinstall the fan tray/air filter back into the shelf.
 The fans must be able to rotate

5.3 Replacing the Power Supply

The AC Power Supply can be accessed from the front on the right hand side of the subrack.

Removing the Power Supply

The steps required for removing the AC Power Supply as follows:

- Loosen the two mounting screws (left and right) on the front of the AC Power Supply.
- Open the handle, pull the Power Supply out toward the front of the subrack until the interface connector disengages.

Installing the Power Supply

The steps required for installing the Power Supply as follows:

- Insert the replacement Power Supply into the shelf guide rails and ensure that the interface connectors align.
- Close the handle
- Tighten the two mounting screws (left and right) on the front of the AC Power Supply.

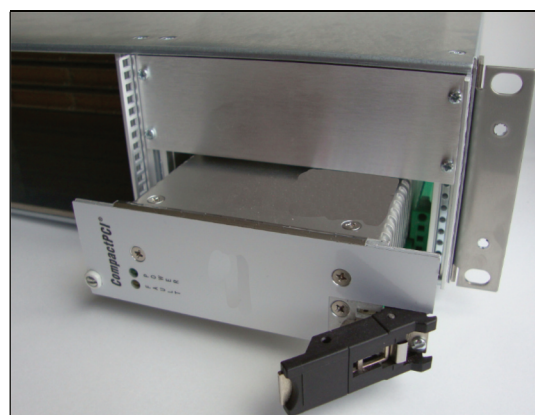


Figure 5-3 Replacing the Power Supply (sample: 2U version)

6 Service

6.1 Technical support and Return for Service Assistance

Please return the complete subrack system. For all product returns and support issues, please contact your Hartmann sales distributor or www.hartmann-electronic.com

Please use the original packing material. Shipping without the original packing material might void the warranty.

6.2 Declaration of Conformity

The HARTMANN VME64x system platform Basic subracks are developed and manufactured according to EN60950-1.

The HARTMANN VME64 system platform Basic subracks are not end-products with independent functionality according to the EMC regulations, therefore CE marking is not required. Not before VME64x boards are plugged into the subrack, the systems fulfill the requirements in accordance with EMC Directive 2004/108/EG and Low-voltage Directive 2006/95/EG.

With the EMC optimized enclosure design and the high quality power input filters for the mains connection offers HARTMANN VME64x systems serve an ideal base for system Integrators, which comply with the limits of EN6100-6-3 and EN61000-6-2

A functionality test and protective earth test is carried out on each system.

The included power supplies are in accordance with EN60950-1, EN55022 / FCC Class A IEC61000-3-2 HARMONIC.

6.3 Scope of Delivery

Quantity	Description
1	VME64x card rack: black coating outside (RAL9005), with IEEE guide rails and ESDclip mounted on the right side
1	VME64x backplane: 6U + 3U, 2, 4 or 8 slots, with J0 connector, ADC (Automatic Daisy Chain), active termination, with P47 connectors
1	Power Entry module with IEC320-C14 connector, switch, fuse and filter
1	Partial front panel 8HP, 16HP or 32HP/ 3U with EMC gasket, with cutout for Power Entry module
1	Hot Swap Fan Tray for order numbers: LMH0000310 LMH0000240 LMH0000260
3	DC fans: 40 x 40 x 28 mm (VME64x Basic 1U 84HP, No.: LMH0000201)
3	DC fans: 80 x 80 x 25 mm (VME64x Basic 2U 84HP, No.: LMH0000170)
6	DC fans: 80 x 80 x 25 mm (VME64x Basic 4U 84HP, No.: LMH0000180)
1 (2)	Compact PC power supply unit 250 W with wide range input 90 – 264 VAC (3.3 V / 33 A, 5 V / 33 A, 12 V / 5.5 A, –12 V / 1 A) with PFC, with P47 connector, incl. 3U / 8HP front panel
1	AC/DC cabling

6.4 Subrack Specifications

Dimensions	VME64x Basic 1U	
	Height	44.2mm
		444.6
	Depth (front card cage)	for Boards: 160mm
	Depth (subrack)	283mm
	VME64x Basic 2U	
	Height	88.6mm
	VME64x Basic 4U	
	Height	176.9mm
Weight		3.6kg
		5.3kg
		8.8kg
AC Power Supply	Input	90 – 264 VAC
		47 – 63 Hz
	Output Power	250 W for 1U
	Output Power	300W for 2U and for 4U
DC Power Supply	optional	
Cooling	VME64x Basic 1U	3 or 4 x DCfans: 40 x 40 x 28 mm, 11.3 CFM, 37 dB(A)
	VME64x Basic 2U	3 x DCfans: 80 x 80 x 25 mm, 36.4 CFM, ()
	VME64x Basic 4U	6 x DCfans: 80 x 80 x 25 mm, 36.4 CFM, 29 dB(A)
Temperature:		0°C to +40°C
	Storage	-30°C to +70°C
	Transport	-30°C to +70°C
Humidity:		5% to 80% non-condensing
	Storage	5% to 80% non-
	Transport	5% to 80% non condensing
Shock		MIL-STD-810F 1 Jan 2000 Annex C, U. Highway truck Figure 514.5C-1, vertical Shocktest (Sawtooth) Figure 516.5-10
Vibration:		DIN EN61373:1999, Figure 2, Category 1, Class B MIL-STD-810F 1 Jan 2000 Annex C, Shipboard: Figure 514.5C-15
EMC		EN61000-6-3 EN61000-6-1
Safety		Test voltages according to EN60950-1
Electromagnetic Shielding		Typ. 40 dB at 1 GHz (with front panels)
Regulatory Compliance:		EN60950-1