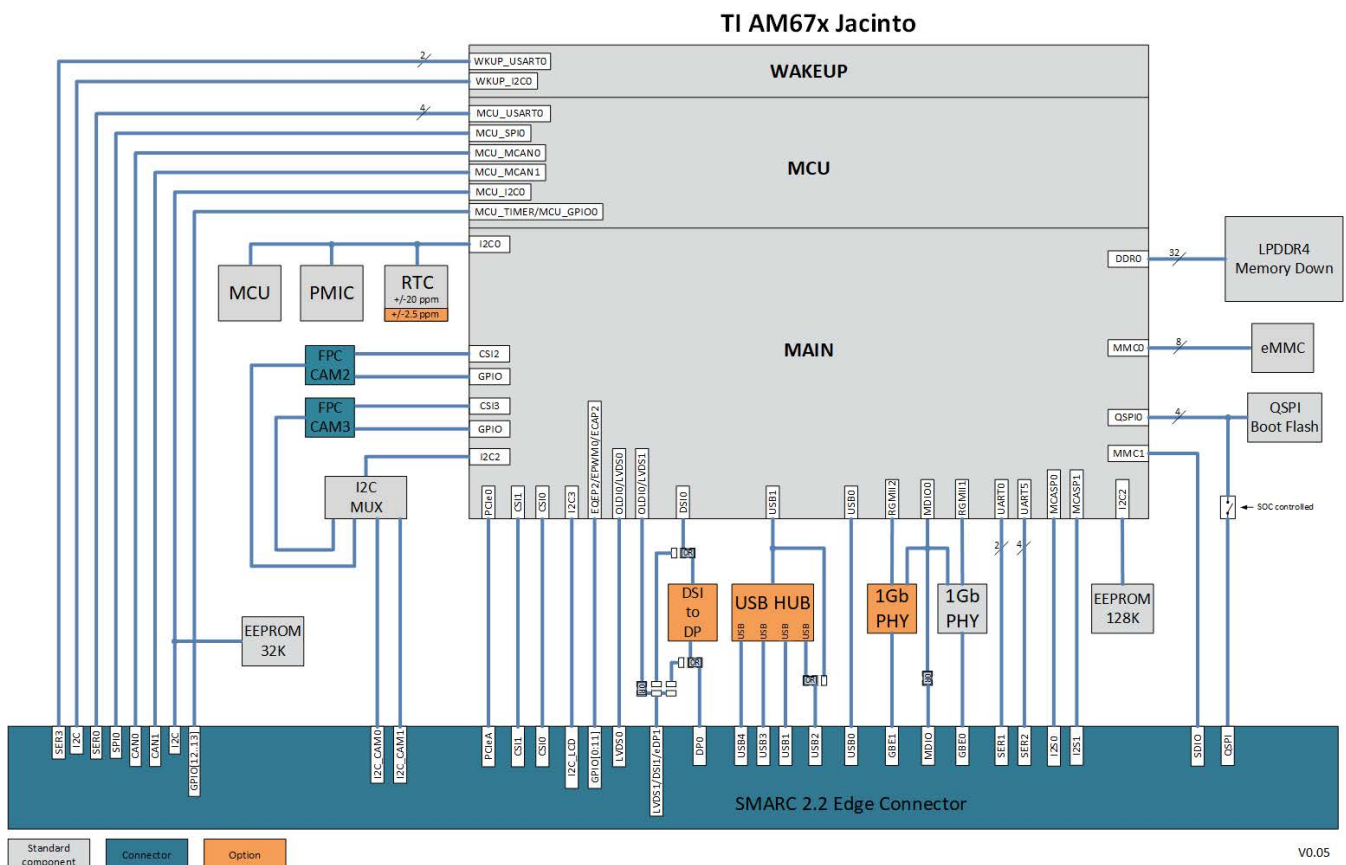


SMARC® Module with TI AM67x Jacinto™ Processor

- ▶ TI dual/quad AM67x Jacinto™ Processor
- ▶ Up to 8 GByte LPDDR4
- ▶ Up to 2x 10/100/1000 MBit Ethernet
- ▶ Up to 64GB eMMC 5.1
- ▶ 1x PCIe up to Gen3 x1
- ▶ 1x USB 2.0 OTG, 1x USB 3.2 (optional up to 2x USB 2.0, 2x USB 3.2)
- ▶ Dual Channel LVDS up to 24bit, DSI
- ▶ Temperature support for -40 °C to +85 °C

COMPLIANCE	SMARC 2.2
DIMENSIONS (H X W X D)	82 x 50 mm
CPU	Ti dual/quad AM67x Jacinto™ processor (Standard AM67, optional AM67A or AM67D)
MAIN MEMORY	up to 8 GByte LPDDR4
ETHERNET	up to 2x 10/100/1000 Mbit Ethernet
STORAGE	1x SD-Card (SDIO capable)
FLASH ONBOARD	up to 64GB eMMC 5.1
PCI EXPRESS® SUPPORT	1x PCIe up to Gen3 x1
PANEL SIGNAL	Dual Channel LVDS up to 24bit, DSI
DISPLAY	1x DP (optional, instead of DSI)
USB	1x USB 2.0 OTG, 1x USB 3.2 (optional up to 2x USB 2.0, 2x USB 3.2)
SERIAL	4x UART (2x RX/TX only)
OTHERS	2x I2S, 1x SPI, 4x I2C, 14x GPIO, 2x CAN, 4x MIPI CSI, 1x QSPI, 1x MDIO (optional)
SPECIAL FEATURES	Failsafe Update, ultra low Power Consumption high accuracy RTC
BOOT LOADER	u-boot, TF-a, OPTEE
OPERATING SYSTEM	Yocto Linux, Buildroot
POWER SUPPLY	3 V – 5.25 V operates directly from single level Lithium Ion cells or fixed 3.3 V – 5 V power supplies
TEMPERATURE	Operating: extended consumer -40 °C to + 85 °C Non-Operating: -40 °C to +85 °C
HUMIDITY	93 % relative Humidity at 40 °C, non-condensing (according to IEC 60068-2-78)

Block Diagram



ARTICLE	PART NO.	DESCRIPTION
SMARC-sAM67 1G/32G 4c	51021-0132-14-4	SMARC with TI AM67 quad core 1GB DRAM 32GB eMMC
SMARC-sAM67 8G/64G 4c	51021-0864-14-4	SMARC with TI AM67 quad core 8GB DRAM 64GB eMMC

Your Contact

JUMPttec GmbH

Brunnwiesenstraße 16
94469 Deggendorf, Germany
Tel.: + 49 991 37024-0
contact@jumptec.de

www.jumptec.com

